

M12 male receptacle A-cod. front mount F&B

PP-wires 8x0,25 0.2m

F&B

Flange male

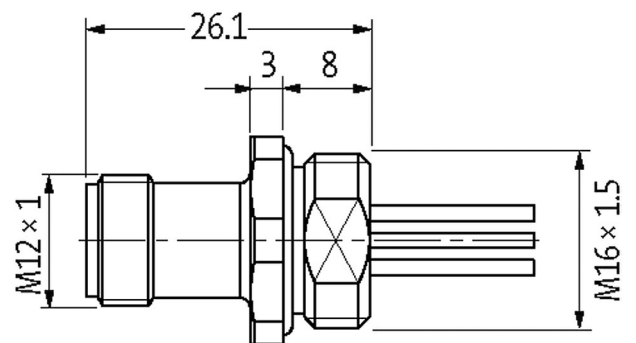
M12, 8-pole

Front mounting

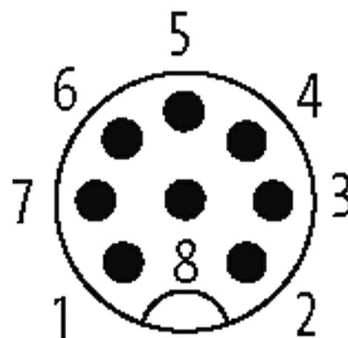
Stainless steel 1.4404 (V4A)

[Link to Product](#)

Illustration



Male



Product may differ from Image

Approvals



Form

Form 17161

General data

Pollution Degree 3
 Temperature range -25...+85 °C

Cables

Cable number 973
 No./diameter of wires 8 × 0.25 mm²
 Wire isolation PUR (wh, br, gn, ye, gr, pk, bl, rd)
 Outer Ø 1.25 mm ±5%
 Bend radius (fixed) 10 × outer Ø
 Temperature range (fixed) -40...+90 °C
 Temperature range (mobile) -25...+90 °C

Technical Data

Operating voltage max. 30 V AC/DC
 Rated surge voltage 0.8 kV
 Operating current per contact max. 2 A
 No. of poles 8
 Material group IEC 60664-1, category I
 Coding A-coded
 LED display no
 Locking of ports Screw thread (M12×1 mm) recommended torque 0.6 Nm, self-securing
 Compression gland M12 (SW14)
 Protection IP67 inserted and tightened (EN 60529)
 Protection NEMA 3, 4, 6P (UL 50E)
 Locking material Stainless steel 1.4404 (V4A)

Commercial data

country of origin DE
 customs tariff number 85444290
 EAN 4048879363594
 eClass 27279220
 Packaging unit 1

Sketch

1	■	white
2	■	brown
3	■	green
4	■	yellow
5	■	gray
6	■	pink
7	■	blue
8	■	red

Product may differ from Image